



# WI-FI DIMMER

INT1D350W



## KEY FEATURES

- Dimmer uses direct L-N connections
- In-built On/Off button
- Wi-Fi connectivity (2.4GHz Wi-Fi only)
- Remote control via App on iOS or Android smart devices
- 7-day On/Off Timer
- Brightness control (requires compatible dimmable bulbs)
- Device firmware - wireless updates via App



## IntelLink App

Free App provided, support remote viewing on iOS or Android™



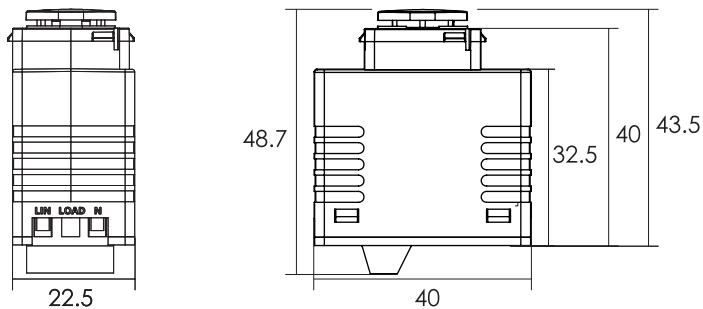
FIRE • SECURITY • INTERCOMS



## SPECIFICATIONS

Model	INT1D350W
Rated supply voltage	220 - 240V- 50/60Hz
Rated Load (Resistive)	2 - 350W
LED load	2 - 200W
Dimming method	Trailing Edge
Dimming range	1%-100% (for compatible dimmable LED lights)
Wireless mode	Wi-Fi
Operating frequency	2.4GHz
Dimensions	40 x 22.5 x 48.7mm
Weight	35g
Operating temperature	-20-40°C

## DIMENSIONS



FIRE • SECURITY • INTERCOMS